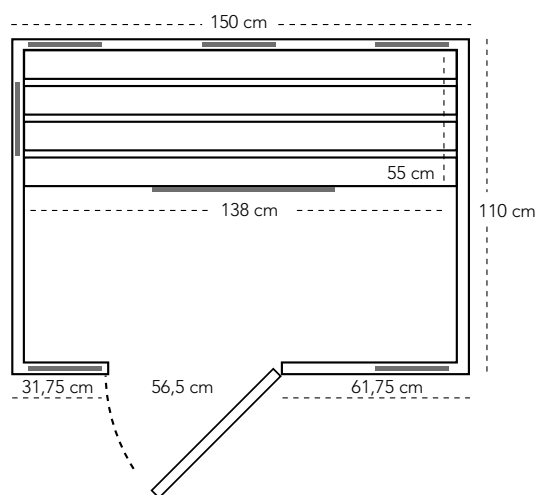


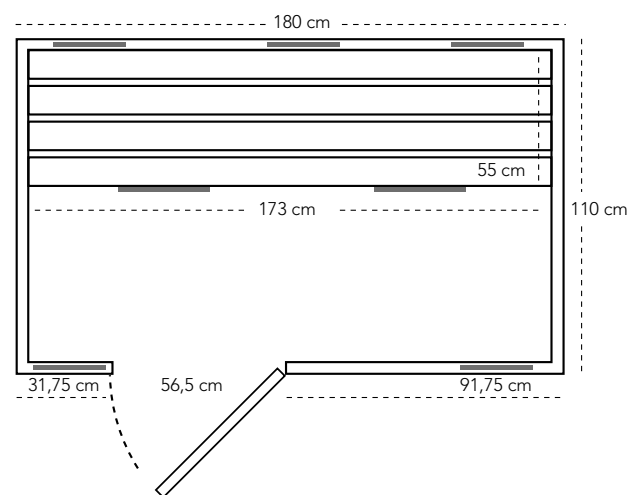
HCE/HCED 150

b-d-h 150 x 110 x 195
2-3 personen
2490 Watt / 230 volt
7 elementen
3 ruggensteunen



HCE/HCED 180

b-d-h 180 x 110 x 195
3-4 personen
2190 Watt / 230 volt
7 elementen
3 ruggensteunen



HCE/HCED 210

b-d-h 210 x 110 x 195
4-5 personen
2760 Watt / 230 volt
9 elementen
4 ruggensteunen

