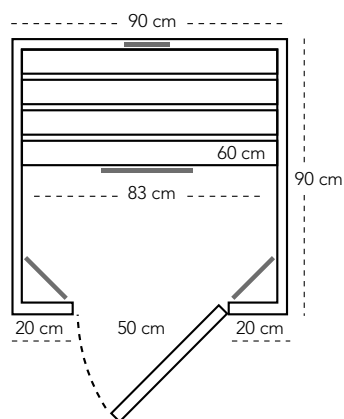


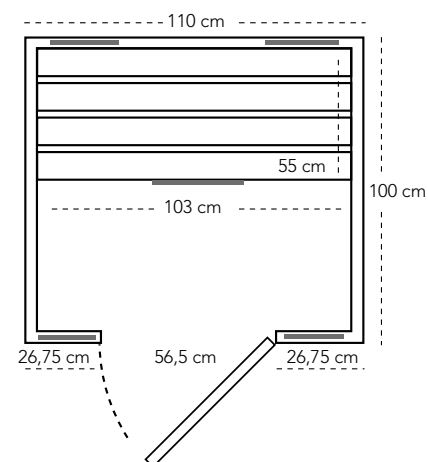
## HCE/HCED 90

b-d-h 90 x 90 x 195  
1 persoon  
1270 Watt / 230 volt  
4 elementen  
1 ruggesteun



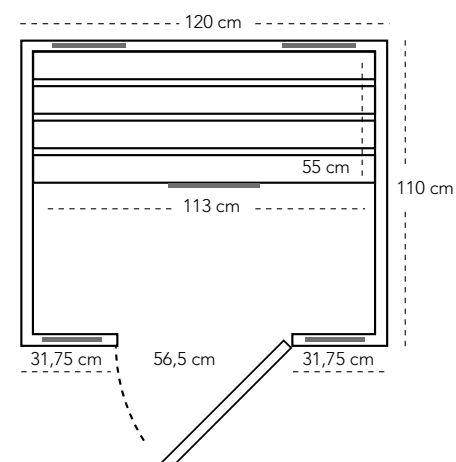
## HCE/HCED 110

b-d-h 110 x 100 x 195  
1-2 personen  
1640 Watt / 230 volt  
5 elementen  
2 ruggesteunen



## HCE/HCED 120

b-d-h 120 x 110 x 195  
1-2 personen  
1640 Watt / 230 volt  
5 elementen  
2 ruggesteunen



## HCE/HCED 130

b-d-h 130 x 110 x 195  
2 personen  
1990 Watt / 230 volt  
6 elementen  
2 ruggesteunen

